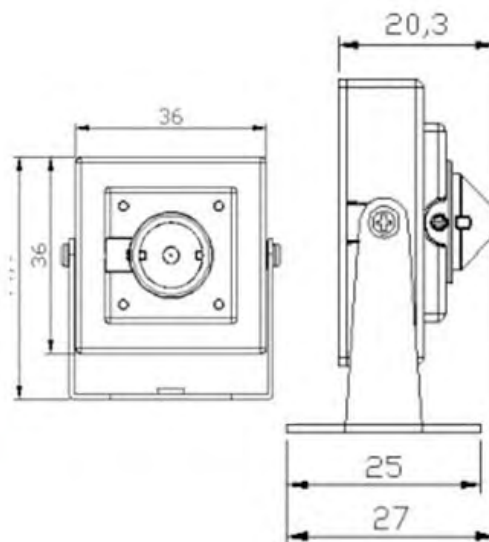


CP- EAC-PY60MA

High Resolution Pin Hole Camera with OSD & Audio



Main Features

- 1/3" Sony CCD
- 600 TVL High Resolution Camera
- 0.05 lux @ F1.2
- 3.7 mm Pin Hole Lens
- AGC, AES, BLC, Mirror, Privacy Masking and Motion Detection
- 2D-DNR, Audio
- CE, FCC and RoHS Certified



CP- EAC-PY60MA

High Resolution Pin Hole Camera with OSD & Audio

Feature

Image Sensor
Pixels
Resolution
Min. Illumination
S/N Ratio
Electronic Shutter
Flickerless Mode
Lens
Gamma Correction
White Balance (AWB)
Gain Control (AGC)
Back Light Compensation
Sync
Video Output
Special Functions
Power Supply
Power Consumption
Dimensions
Weight
Operating Temperature
Certifications

Specification

1/3" Sony CCD
PAL:752Hx582V, NTSC:768Hx494V
600 TVL
0.05 lux @F1.2
more than 48dB
1/50(1/60) - 1/100000 Sec
ON/OFF
3.7 mm
0.45
Auto
Auto
ON/OFF Selectable
Internal
1.0 Vp-p/75 ohm
OSD, Camera ID, Camera Title, Mirror, Privacy Masking=7, Motion Detection=4, 2D-DNR
DC 12V ± 5%
<4W
36mm x 20.3mm x 44.4mm
130g
-10~50 °C
CE, FCC, RoHS



1141 Budapest, Fogarasi út 77. 1095 Budapest, Mester u. 34.
Tel.: *220-7940, 220-7814, 220-7959 Tel.: *218-5542, 215-9771, 215-7550,
220-8881, 364-3428 Fax: 220-7940 216-7017, 216-7018 Fax: 218-5542
Mobil: 30 531-5454, 30 939-9989 Mobil: 30 940-1970, 20 949-2688

www.cpplus.hu

E-mail: info@delton.hu Web: www.delton.hu

