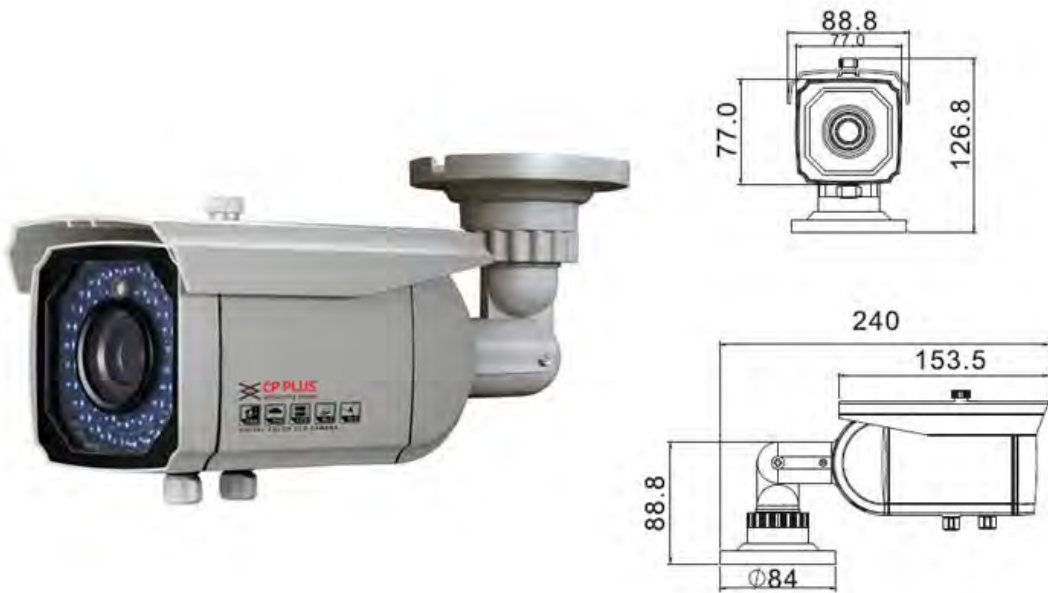


CP- GAC-TC72VBL5

High Resolution VF IR Bullet Camera - 50 Mtr.



Main Features

- High Quality Image Sensor
- 720 TVL High Resolution Camera
- 0.1 lux @ F1.2
- 2.8-12mm Varifocal Lens
- IR Range of 50M with 48 pcs IR LEDs
- AGC, AWB and BLC
- CE, FCC and RoHS Certified



CP- GAC-TC72VBL5

High Resolution VF IR Bullet Camera - 50 Mtr.

Feature

Image Sensor
 Resolution
 Min. Illumination
 S/N Ratio
 Electronic Shutter
 Lens
 Gamma Correction
 White Balance (AWB)
 Gain Control (AGC)
 Back Light Compensation
 IR
 Sync
 Power Supply
 Power Consumption
 IP Rating
 Dimensions
 Weight
 Operating Temperature
 Certifications

Specification

High Quality Image Sensor
 720 TVL
 0.1 lux @F1.2
 more than 52db
 1/50(1/60)-1/100000s
 2.8-12mm Varifocal Lens
 0.45
 Auto
 Auto
 Auto
 IR Range of 50M with 48 pcs IR LEDs
 Internal
 DC12V(+/-10%)
 Max.120mA+300mA (with IR on)
 IP66
 240 x 88.8 x 126.8 mm
 0.9KG
 -20~50 °C
 CE, FCC, RoHs



1141 Budapest, Fogarasi út 77. 1095 Budapest, Mester u. 34.
 Tel.: *220-7940, 220-7814, 220-7959, Tel.: *218-5542, 215-9771, 215-7550,
 220-8881, 364-3428 Fax: 220-7940 216-7017, 216-7018 Fax: 218-5542
 Mobil: 30 531-5454, 30 939-9989 Mobil: 30 940-1970, 20 949-2688

www.cpplus.hu

E-mail: info@delton.hu Web: www.delton.hu

