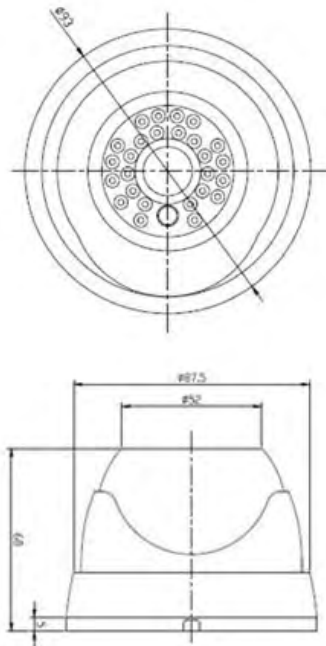


CP- LAC-DC85L2

High Resolution IR Dome Camera - 20 Mtr.



Main Features

- High Quality Image Sensor
- 850 TVL High Resolution
- 0 lux (IR ON)
- 3.6 mm Lens
- IR Range of 20 Mtr with 20 IR Leds
- AGC, AWB and BLC
- CE, FCC and RoHS Certified



CP- LAC-DC85L2

High Resolution IR Dome Camera - 20 Mtr.

Feature

Image Sensor
Pixels
Resolution
Min. Illumination
S/N Ratio
Lens
Gamma Correction
White Balance (AWB)
Gain Control (AGC)
Back Light Compensation
Day & Night (ICR)
IR
Scanning System
Sync
Power Supply
Power Consumption
Dimensions
Weight
Storage Temperature
Operating Temperature
Certifications

Specification

High Quality Image Sensor
PAL:720H x 576V
850 TVL
0.2lux(IR OFF), 0lux(IR ON)
more than 47dB
3.6 mm Lens
0.45
Auto
Auto
Auto
Auto
IR Range of 20 Mtr.with 20 IR Leds
Interlaced scanning
Internal Sync
DC 12V
170mA (145-196mA)
(Φ)93mm x 69mm
160g
-20°C~60°C
-10°C~50°C
CE, FCC, RoHS



1141 Budapest, Fogarasi út 77. 1095 Budapest, Mester u. 34.
Tel.: *220-7940, 220-7814, 220-7959, Tel.: *218-5542, 215-9771, 215-7550,
220-8881, 364-3428 Fax: 220-7940 216-7017, 216-7018 Fax: 218-5542
Mobil: 30 531-5454, 30 939-9989 Mobil: 30 940-1970, 20 949-2688

www.cpplus.hu

E-mail: info@delton.hu Web: www.delton.hu

