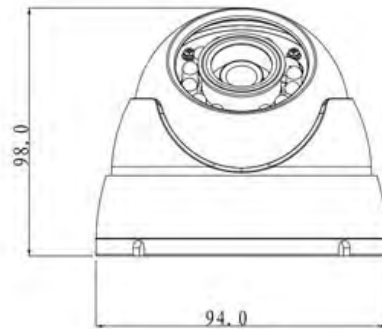
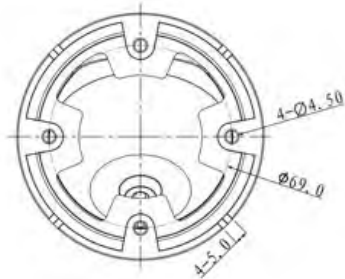


# CP- UVC-DM1100L2

1 MP HDCVI IR Dome Camera - 20 Mtr.



## Main Features

- 1/2.9" 1MP HQIS Pro
- 25/30fps@720P
- Day/Night(ICR), AWB, AGC, BLC, 3D-DNR
- 3.6mm fixed lens (2.8 mm, 6mm, 8mm optional)
- IR Range of 20 M, Smart IR
- High speed, long distance real-time transmission
- IP66
- Mobile Software: iCMOB, gCMOB
- CMS Software: KVMS Pro, vOptimus Pro



# CP- UVC-DM1100L2

1 MP HDCVI IR Dome Camera - 20 Mtr.

## Feature

Image Sensor  
Minimum Illumination  
Shutter Speed  
Lens  
Video Streaming  
Video Output  
ICR  
IR  
Operating Temperature  
Power Source  
Power Consumption  
Weatherproof Standard  
Dimension  
Weight

## Specification

1/2.9" 1Megapixel HQIS Pro  
0.01Lux@F1.2(AGC ON),0Lux IR on  
1/50s~1/100,000s  
3.6mm (2.8mm, 6mm, 8mm optional)  
720P@25 fps  
1-channel BNC HDCVI high definition video output  
Auto(ICR)/B&W/Color  
IR Range of 20 M, Smart IR  
-30°C~+60°C/ Less than 95%RH (no condensation)  
DC12V±10%  
Max 2.5W  
IP66  
Φ94.0mm x 98mm  
0.33Kg



1141 Budapest, Fogarasi út 77.      1095 Budapest, Mester u. 34.  
Tel.: \*220-7940, 220-7814, 220-7959,      Tel.: \*218-5542, 215-9771, 215-7550,  
220-8881, 364-3428 Fax: 220-7940      216-7017, 216-7018 Fax: 218-5542  
Mobil: 30 531-5454, 30 939-9989      Mobil: 30 940-1970, 20 949-2688

[www.cpplus.hu](http://www.cpplus.hu)

E-mail: [info@delton.hu](mailto:info@delton.hu) Web: [www.delton.hu](http://www.delton.hu)

