

Lock releases

Casing manufactured in 2mm. thick pressure injected light alloy.

Adjustable bolt on A models.

Unlock function on E models, which allows to open the door when pushed.

Two types of mechanic operation:

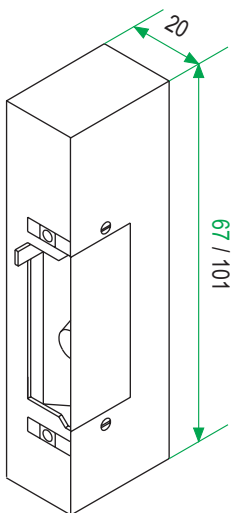
Standard, which only enables the door to be opened while the telephone lock release push button is pressed.

Automatic, which enables the door to be opened with only pressing once the lock release push button of the telephone. The door is locked again when closed.

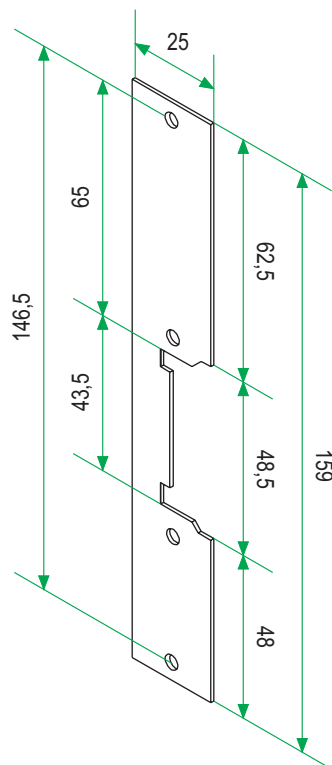
Operation voltage from 8 to 12V.a.c. (700mA consumption) or d.c. (DC models, 300mA consumption).

Dimensions shown in green correspond to adjustable bolt lock releases (A models). Dimensions are in millimeters.

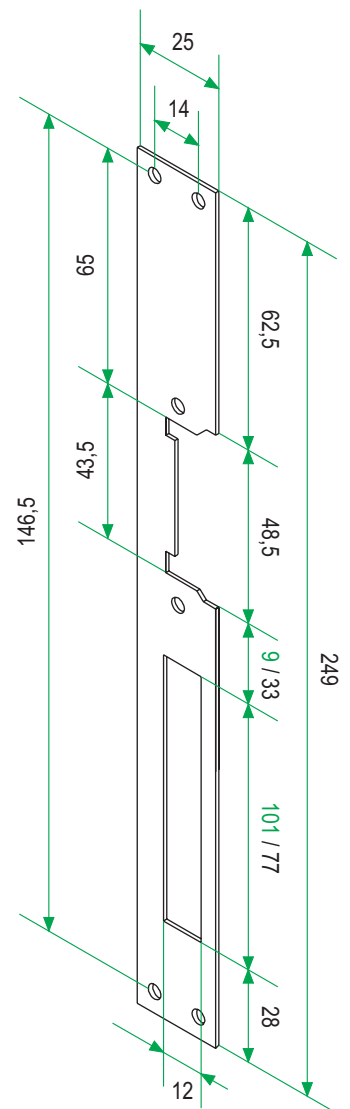
Mechanism



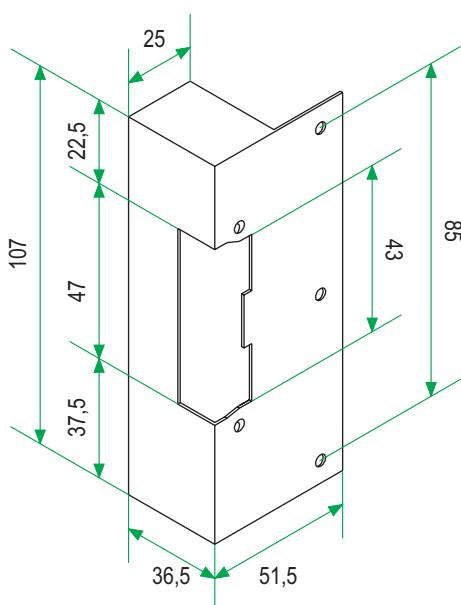
Medium shield



Long shield



Surface shield



Lock releases

a.c.



CV-14

Standard lock release.

20600140

Medium size shield.

CV-14E

Standard lock release.

20600141

Unlock function.
Medium size shield.



CV-14A

Standard lock release.

20600142

Adjustable bolt.
Medium size shield.

CV-14EA

Standard lock release.

20600143

Adjustable bolt.
Unlock function.
Medium size shield.



CV-14L

Standard lock release.

20620140

Long size shield.

CV-14EL

Standard lock release.

20620141

Unlock function.
Long size shield.



CV-14LA

Standard lock release.

20620142

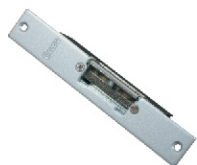
Adjustable bolt.
Long size shield.

CV-14ELA

Standard lock release.

20620143

Adjustable bolt.
Unlock function.
Long size shield.



CV-24





Automatic lock release.

20600240


Medium size shield.

Lock releases

a.c.

| | | | |
|---|-----------------|---|----------|
|  | CV-24E | Automatic lock release. | 20600241 |
| | | Unlock function. Medium size shield. | |
| | CV-24A | Automatic lock release. | 20600242 |
| | | Adjustable bolt. Medium size shield. | |
|  | CV-24EA | Automatic lock release. | 20600243 |
| | | Adjustable bolt. Unlock function. Medium size shield. | |
| | CV-24L | Automatic lock release. | 20620240 |
| | | Long size shield. | |
|  | CV-24EL | Automatic lock release. | 20620241 |
| | | Unlock function. Long size shield. | |
| | CV-24LA | Automatic lock release. | 20620242 |
| | | Adjustable bolt. Long size shield. | |
|  | CV-24ELA | Automatic lock release. | 20620243 |
| | | Adjustable bolt. Unlock function. Long size shield. | |

d.c.

| | | | |
|---|-----------------|--------------------------------|----------|
| | CV-14/DC | Standard lock release. | 20600149 |
| | | Medium size shield. | |
|  | CV-24/DC | Automatic lock release. | 20600249 |
| | | Medium size shield. | |

Lock releases

Accessories



G Long size shield. 20690052

SU Surface mounting shield. 20690061



7.111 Detection contacts. 20607111

Detect door open status.
Double contact.

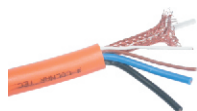


7.113 Detection contacts. 20607113

N Detect door open status.
Triple contact.



Cables



RAP-5130 Cable for video systems. 20160041

N For backbones of less than 100 m.
Wires: (2 x 0,25 mm²) + (2 x 1,00 mm²) + 75ϕ coaxial cable.
Delivered in 100 meters package only.

RAP-4306 Cable for video systems. 20160021

For distributions of less than 15 m.
Wires: (2 x 0,25 mm²) + (1 x 1,00 mm²) + 75ϕ coaxial cable.
Delivered in 100 meters package only.



RG-59 75ϕ coaxial cable. 31680059

For video systems.
Delivered in 100 meters package only.

RAP-4130 Cable for audio digital systems. 20160022

N For backbones of less than 100 m.
Wires: (2 x 0,25 mm²) + (2 x 1,00 mm²).
Delivered in 100 meters package only.



M-8C Cable for audio systems. 20120080

Wires: 8 x 0,22 mm².
Delivered in 100 meters package only.