

1 Specification

- Communication: RS-485 / Ethernet (optional)
- Baud rate : 4800 bps / 9600 bps / 19200 bps(N, 8, 1)
- Channels : 1. 16 Form C Relay Output
2. N.O./ N.C. select via Jumper
3. 4 COM. were dispatched 16 Relay separately
- Power Supply : +9 ~ +24VC
- Contact Rating: AC : 110V@0.6A DC : 24V@2A
- LED indicator Power,Tx/Rx, Relay On/ Off
- Option : AR-727i 10M Ethernet (AR-401RO16/i)
- Dimension(mm) : 97(H)*44(W)*180(D)
- Weight (g) : 600±50
- Housing Material : Metal

2 AR-401DI16 Node ID Setting

BAUD4800 for Elevator Control

SW1-4: Node ID Selection
SW 5 ON, SW6 OFF

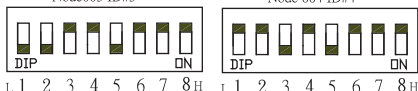


Node 1~16 ID#1~16

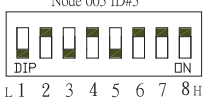
Node 001 ID#1 Node 002 ID#2



Node 003 ID#3 Node 004 ID#4

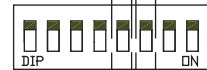


Node 005 ID#5



BAUD9600

SW1-4:Node ID Selection
SW 5 OFF, SW 6 OFF

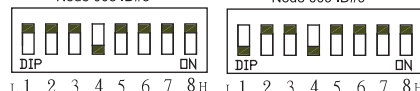


Node 1~16 ID#1~16

Node 006 ID#6 Node 007 ID#7



Node 008 ID#8 Node 009 ID#9



BAUD19200

SW1-5:Node ID Selection
SW 6 ON

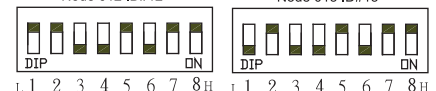


Node 1~32 ID#1~32

Node 010 ID#10 Node 011 ID#11



Node 012 ID#12 Node 013 ID#13

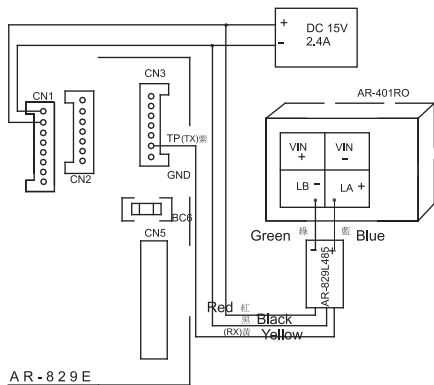


#1	#2	#3	#4	#5
1~16	17~32	User Number decode output by binary	33~48	49~64

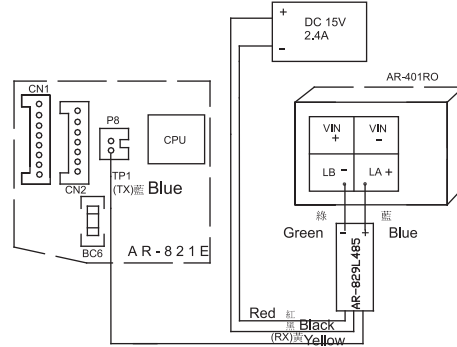
Ethernet	Function	
SW 8	<input type="checkbox"/>	<input type="checkbox"/>
	RS-485 Setup	RUN
SW 7	<input type="checkbox"/>	<input type="checkbox"/>
	DHCP ON	DHCP OFF

3 Diagram of AR-401RO16 and 829E, 821E, 721H, 727H

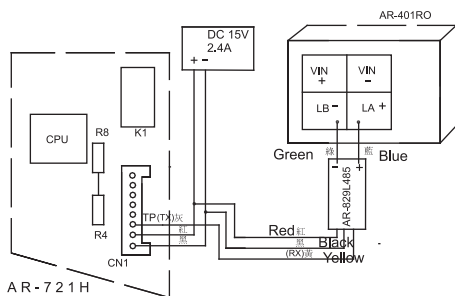
1. AR-829E AR-401RO



2. AR-821E AR-401RO



3. AR-721H AR-401RO



4. AR-727H AR-401RO

