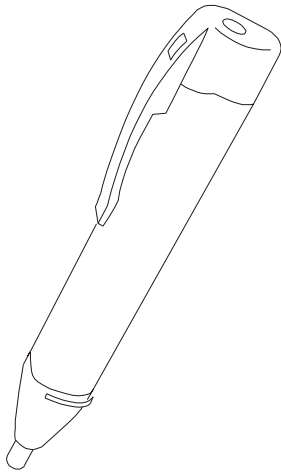


HOLDPEAK 700

Instruction Manual



⚠ Warnings!

- It is important that users of this tester read, understand, and follow all warnings, cautions, safety information, and instructions in this manual before operating or servicing this tester. Failure to follow instructions could result in death or serious injury.
- Risk of electric shock and burn. Contact with live circuits could result in death or serious injury.
- Use caution with voltages above 30 V AC as a shock hazard may exist.
- A steady red glow and continuous beep indicates voltage present. **If no indication, voltage could still be present.**
- In bright light conditions, the LED visual indicators will be less visible.
- Do not use if green LED is not illuminated.
- Do not use if tester appears damaged or if the tester is not operating properly. If in doubt, replace the tester.
- Do not apply more than the rated voltage as marked on the tester (1000 volts AC).
- Always wear approved eye protection.
- Before each use, verify operation by testing a known working circuit that is within the rating of this tester.
- Do not rely on this tester with shielded wire. Operation may be affected by differences in socket design and insulation thickness and type.
- Comply with local and national safety requirements.
- If this tester is used in a manner not specified by the manufacturer, protection provided by the tester

may be affected.

⚠ CAUTION

- Do not attempt to repair this tester. It contains no serviceable parts.
- Do not expose the product to extremes in temperature or high humidity.

Technical Data

Voltage range: 50...1000V AC

Frequency range: 50Hz...500Hz

Display: Clear, omnidirectional flashing beacon

IP-Protection: IP40

Overvoltage category : CAT III, 600V

Pollution degree: 2

Altitude: up to 2000m

Temperature range: 0°C up to 40°C

Humidity: <80%

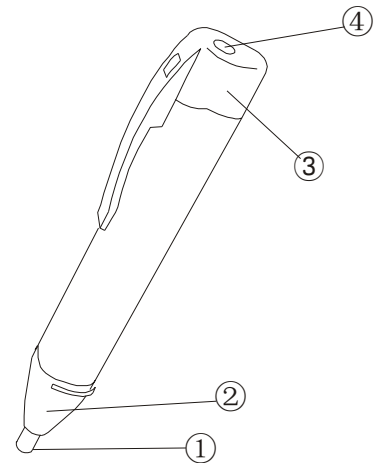
Power supply: 2x1,5V batt. IEC Lr03

Dimensions: 145x25x21 mm

Weight: Approx. 42g

Display and Control Elements:

- 1) Test probe
- 2) LED for voltage indication
- 3) Battery case cover and Clip
- 4) Switch



SYMBOLS ON TESTER

⚡ Warning. Risk of electric shock.

⚠ Risk of danger. Important information. It is important that users of this tester read, understand, and follow all warning, safety information, and instruction in this manual before operating or servicing this tester. Failure to follow instructions could result in death or serious injury.

☐ Double insulated

OPERATING INSTRUCTIONS:

Turn unit on:

Press the power button on the end-cap for 1 second. Listen for a single-beep sound and watch for a steady green LED to illuminate in the tip of the

tester. Release the power button; the tester is now activated and is operational. Tester on known live circuit to verify tester functionality.

Turn unit off:

Press and hold the power button on the end-cap for 0.5 second. Listen for a double-beep sound and watch the “power on” green LED turn off. Release the power button :the tester is now deactivated and is not operational.

System self-test:

The “power on” green LED visually confirms battery sufficiency, system integrity, and operation active mode. Always test on known live circuit to verify tester functionality prior to use.

Checking for the presence of AC voltage:

Prior to use, test on known live circuit to verify tester functionality.

Place tip of the tester near an AC voltage. If the tester detects voltage, the “power on” LED in the tip of the tester change color from green to blinking red and a continual beeping sound is generated.

Low battery indication:

Scenario 1—Powering on the tester: The “power on” LED in the tip of the tester change from a steady green to a blinking green and a series of beeping sounds is generated. The tester then turns off. The unit is now deactivated and is not operational, the batteries require replacement. To replace the tester batteries refer to the Maintenance section titled “Battery Replacement”.

Scenario 2—Operating the tester: If the LED lights dim and the tone fades, the tester may require new batteries. To replace the tester batteries refer to the Maintenance section titled “Battery Replacement”.

Auto Power Off:

After 4 minutes of non-use, the tester automatically powers off to conserve battery life. Listen for a double-beep sound and watch the “power on” green LED turn off. The tester is now deactivated and is not operational.

Maintenance

As long as the instructions in the operating manual are adhered to, no special maintenance is required.

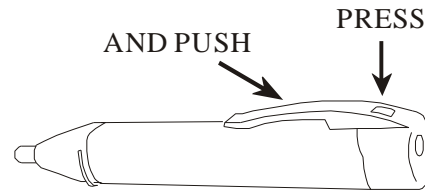
Cleaning:

Disconnect the instrument from all circuits. Humidity the cloth slightly with household cleaner and wipe the instrument surface by applying light pressure. Allow a recovery time of 6 hours after

cleaning before operating the instrument.

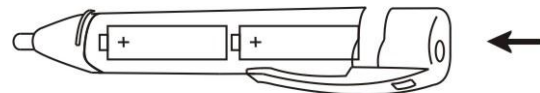
Battery Replacement

Press the switch to power off, press the block and push the battery case cover lightly to open.



Remove discharged battery and insert new ones by respecting correct polarity. For battery type, please refer to the technical data section.

- Carefully press battery case cover until latching.



Close battery cover

Warning!

If the instrument is likely to remain unused for a long period of time the batteries must be removed. If a battery should leak inside the housing, return the instrument to our service department for cleaning and checking.

Please think of our environment when getting rid of used batteries. They should be disposed of in a place suitable for hazardous waste.

Warning!

Please, comply with the appropriate regulations concerning the return, recycling and disposal of used batteries and accumulators.

Above picture and content just for your reference. Please be subject to the actual products if anything different or updated. Please pardon for not informing in advance.



1141 Budapest, Fogarasi út 77. 1095 Budapest, Mester utca 34.
Tel.: *220-7940, 220-7814, 220-7959, Tel.: *218-5542, 215-9771, 215-7550,
220-8881, 364-3428 Fax: 220-7940 216-7017, 216-7018 Fax: 218-5542
Mobil: 30 531-5454, 30 939-9989 Mobil: 30 940-1970, 20 949-2688

E-mail: delton@delton.hu Web: www.delton.hu

www.holdpeak.hu