
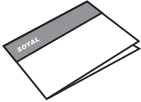






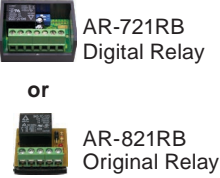
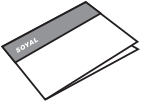
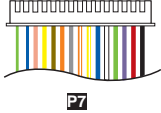
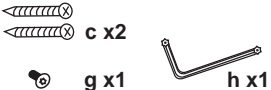
Contents

AR-321 (H):Touch-panel Metal Housing


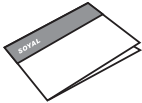


- 1 Product 
- 2 User Guide 
- 3 Terminal Cables 
- 4 Tools 
- 5 Water proof Strip 

AR-331 (H):Touch-panel Metal Housing / AR-331 (H-S):Metal Housing

※ Must to purchase relay

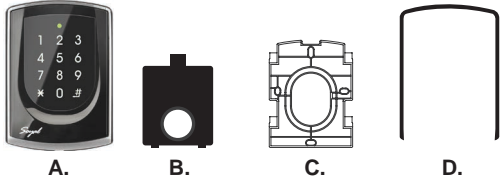
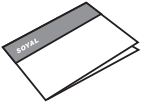
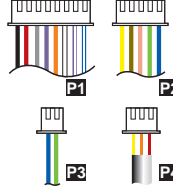
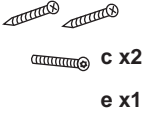
- 1 Product 
- 2 Optional 
- 3 User Guide 
- 4 Terminal Cables 
- 5 Tools 

AR-721 (H)

- 1 Product 
- 2 User Guide 
- 3 Terminal Cables 
- 4 Tools 

AR-725 (H):Illuminated Touch-panel

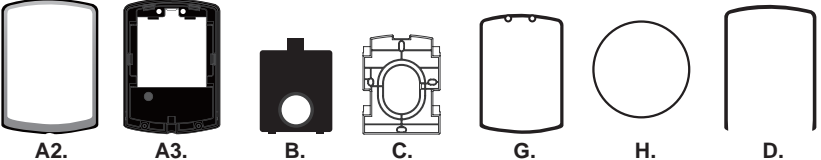
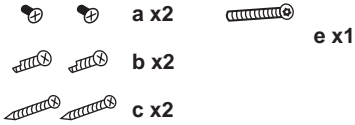
AR-725 (H-M)

- 1 Products 
- 2 User Guide 
- 3 Terminal Cables 
- 4 Tools 


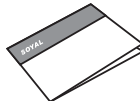
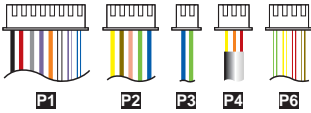

AR-725 (H)

- 1 Products 
- 2 User Guide 
- 3 Terminal Cables 
- 4 Tools 









AR-725 (X)

- 1 Products 
- 2 Tools 

AR-757 (H)

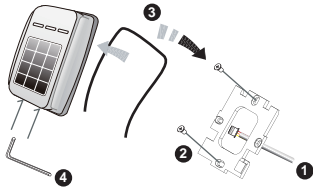
- 1 Product 
- 2 User Guide 
- 3 Terminal Cables 
- 4 Tools 

Parts Description

- a.  Button Head Pozidriv Tapping Screw: M3x10
- b.  Button Head Pozidriv Slotting Screw: 2.5x10
- c.  Flat Head Cap Philips Tapping Screw: 4x19.1
- d.  Flat Head Cap Philips Tapping Screw: 4x38
- e.  Security Torx Screw: M3.5x15
- f.  Flat Head Hex Socket Screw: M3x8
- g.  Security Torx Screw: M3x10
- h.  Security Torx Wrenches

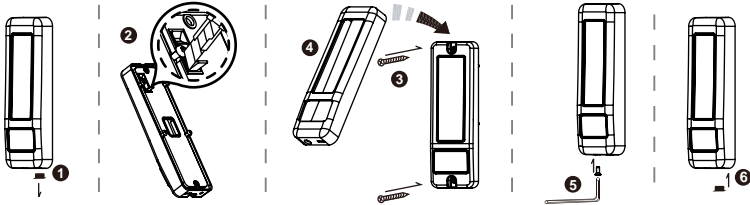
Installation

AR-321 (H)



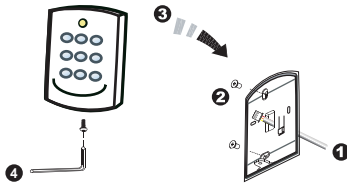
- Pull the cables from the square hole of the mounting plate.
- Use a screwdriver to screw the mounting plate onto the wall.
- Attach the water proof strip to the body, then connect the terminal cables to the body and attach the body to the mounting plate.
- Use the Allen key and screws (accessories supplied) to assemble the body onto the mounting plate.
- Turn on the power, and LED will light and beep will sound.

AR-331 (H) / AR-331 (H-S)



- Remove the rubber plug.
- To cut tamper-resistant column and make it fit the appropriate height for actual installation.
- First, take off the metal casing then screw the controller on the wall.
- Second, put the metal casing back and lock it with security screw.
- Finally, put the rubber plug into the hole.
- Turn on the power, and LED will light and beep will sound.

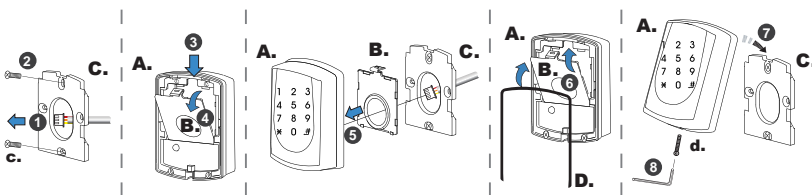
AR-721 (H)



- Pull the cables from the square hole of the mounting plate.
- Use a screwdriver to screw the base onto the wall.
- Connect the terminal cables to the body and attach the body to the mounting plate.
- Assemble the covers with the Allen key and screws (accessories supplied).
- Turn on the power and LED will light and beep will sound.

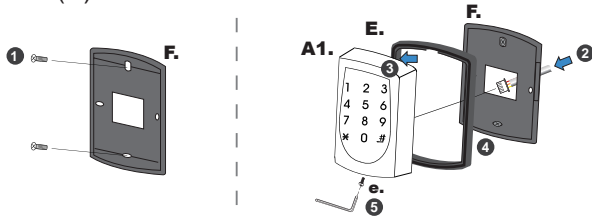
AR-725 (H)

AR-725 (H-M)



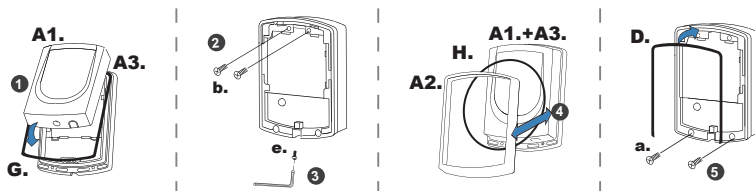
- Pull the cables from the square access hole of the mounting plate C.
- Use a screwdriver to screw the metal plate C onto the wall.
- Take off the plastic mounting plate B from the body A, and pull the cables through the access hole of C and B, then connect to the body A.
- Assemble plate B with the body A, and embed the water proof strip D onto the plastic side frame.
- Assemble the body A onto the mounting plate C with the Allen key and screws (accessories supplied).
- Turn on the power and LED will light and beep will sound.

AR-725 (H)



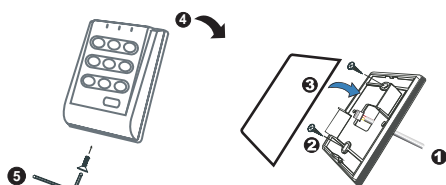
- Use a screwdriver to screw the base F onto the wall.
- Attach the water proof gasket to the body A1, and pull the cables from the square hole of the base F, and connect to the body A1.
- Assemble the body A1 with the base F.
- Screw A1 and F tight with the Allen key and screws (accessories supplied).
- Turn on the power and LED will light and beep will sound.

AR-725 (X)



- Put on G, and attach A1 onto the plastic plate A3, and screw it with the Allen key and screws (accessories supplied).
- Put the ring O on the metal frame, and put them together onto the reader A1+A3, and screw them and buckle up the 4 buckles on the back.
- Embed the water proof strip D onto the frame side of the base.
- Following by the install process of AR-725 (H-M)

AR-757 (H)



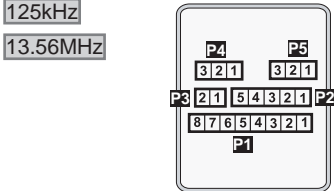
- Pull the cables from the square hole of the mounting plate.
- Use a screwdriver to screw the base onto the wall.
- Embed the water proof strip 3 onto the frame side of the base.
- Connect the terminal cables to the body and attach the body to the mounting plate.
- Assemble the covers with the Allen key and screws (accessories supplied).
- Turn on the power and LED will light and beep will sound.

Notice

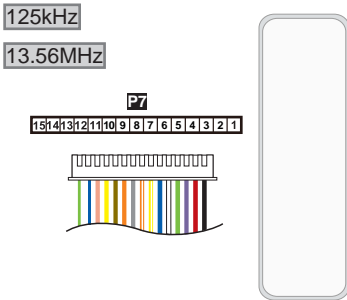
- 1.Tubing:** The communication wires and power line should NOT be bound in the same conduit or tubing.
- 2.Wire selection:** Use AWG 22-24 Shielded Twist Pair to avoid star wiring.
- 3.Power supply:** Don't equip controller and lock with the same power supply. The power for controller may be unstable when the lock is activating, that may make the controller malfunction.
The standard installation: Door relay and lock use the same power supply, and controller use independent power supply.

Connector Table

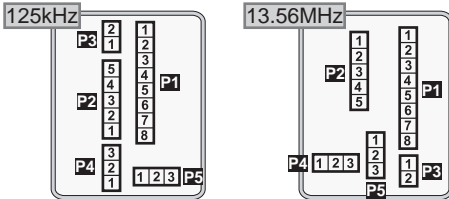
AR-321 (H)



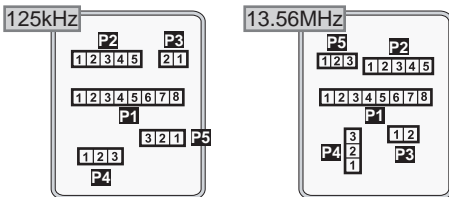
AR-331 (H) / AR-331 (H-S)



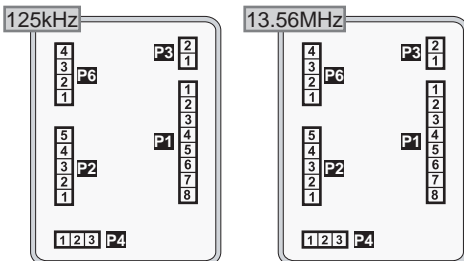
AR-721 (H)



AR-725 (H)



AR-757 (H)



Connectors Comparison

AR-321 (H)	P1 P2 P3 P4 (P5Optional)
AR-331 (H)	P7 P8
AR-721 (H)	P1 P2 P3 P4 (P5Optional)
AR-725 (H)	P1 P2 P3 P4 (P5Optional)
AR-757 (H)	P1 P2 P3 P4 P6

Cable : P1

Wire Application	Pin	Color	Description
Lock Relay	1	Blue White	(N.O.) DC24V1Amp
	2	Purple White	(N.C.) DC24V1Amp
Common-COM-Point	3	White	(COM) DC24V1Amp
Door contact	4	Orange	Negative Trigger Input
Exit Switch	5	Purple	Negative Trigger Input
Alarm Relay	6	Gray	Low output; Max 12V/100mA (Open Collector)
Power	7	Thick Red	DC Power 12V
	8	Thick Black	DC Power 0V

Cable : P2

Wire Application	Pin	Color	Description
Wiegand	1	Thin Blue	Wiegand DAT:1 Input
	2	Thin Green	Wiegand DAT:0 Input
Beeper	3	Pink	Beeper Output 5V/100mA, Low
LED	4	Brown	LED Green Output 5V/20mA, Max
	5	Yellow	LED Red Output 5V/20mA, Max

Cable : P3

Wire Application	Pin	Color	Description
Networking Module	1	Thick Green	RS-485(B-)
	2	Thick Blue	RS-485(A+)

Cable : P4 (Contact Rating: 1A 125VAC/24VDC)

Wire Application	Pin	Color	Description
Tamper Switch	1	Red	N.C.
	2	Orange	COM
	3	Yellow	N.O.

※After S/N: 0706-XXXXXX

Cable : P5 (Optional)

Wire Application	Pin	Color	Description
3-PIN Connector	1	Black	GND.
	2	White	Duress
	3	Purple	Arming/ Security trigger signal

Cable : P6

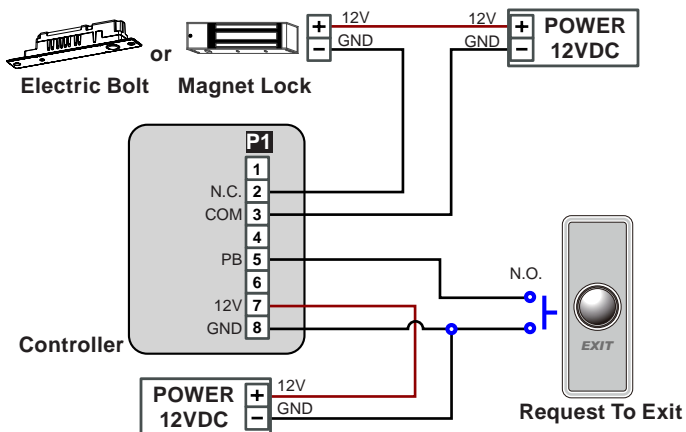
Wire Application	Pin	Color	Description
Door bell	1	Brown White	BE Output
Arming	2	Red White	AR Output/ Security trigger signal Output
Duress	3	Yellow White	DU Output/ TTL out
LED indicator	4	Green White	Hi input/ Green light brighten

Cable : P7 (Directly connected at the Access controller)

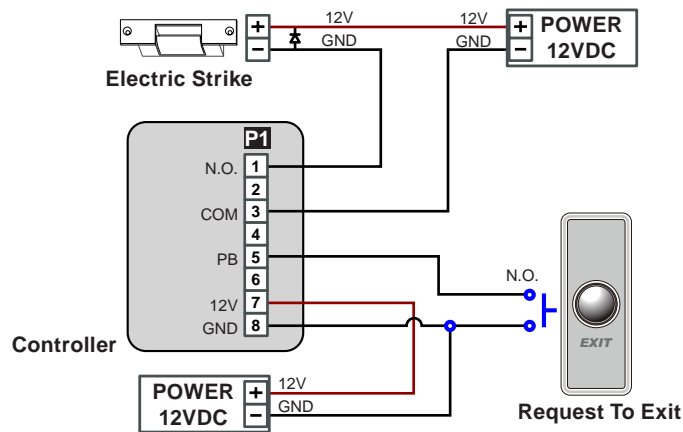
Wire Application	Pin	Color	Description
Power	1	Thick Black	DC Power 0V
	2	Thick Red	DC Power 12V
Exit Switch	3	Purple	Negative Trigger Input
Networking Module	4	Thick Green	RS-485(B-)
Lock Relay	5	White	Low output; Max 12V/100mA (Open Collector)/ Security trigger signal Output
Networking Module	6	Thick Blue	RS-485(A+)
Tamper Switch	7	Yellow White	N.O.
	8	Orange White	COM
Alarm Relay	9	Gray	Low output; Max 12V/100mA (Open Collector)
Door contact	10	Orange	Negative Trigger Input
LED	11	Brown	LED Green Negative Output 5V/20mA, Max
	12	Yellow	LED Red Negative Output 5V/20mA, Max
Beeper	13	Pink	Beeper Negative Output 5V/100mA, Low
Wiegand	14	Thin Blue	Wiegand DAT:1 Input
	15	Thin Green	Wiegand DAT:0 Input

Wiring Diagram

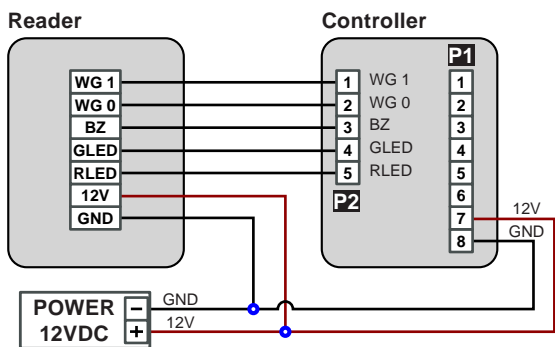
Connect to Magnet Lock or Electric Bolt



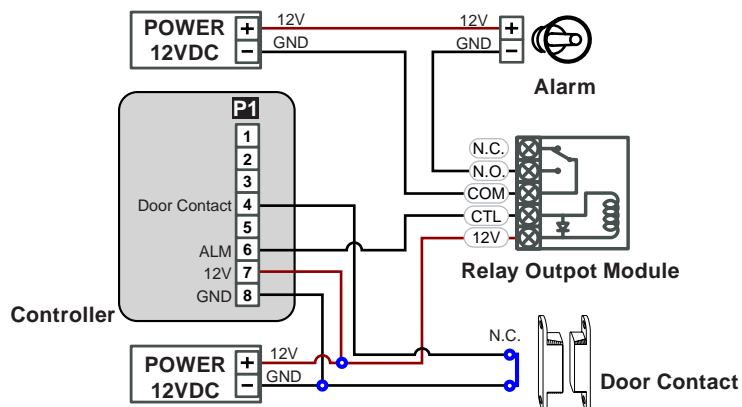
Connect to Electric Strike



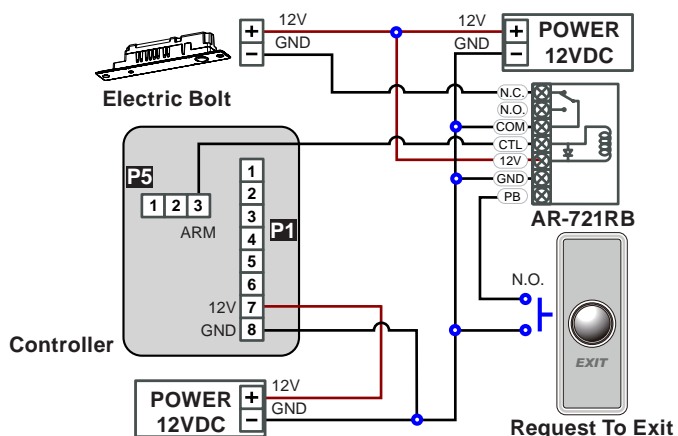
Connect to Reader



Connect to Door Sensor

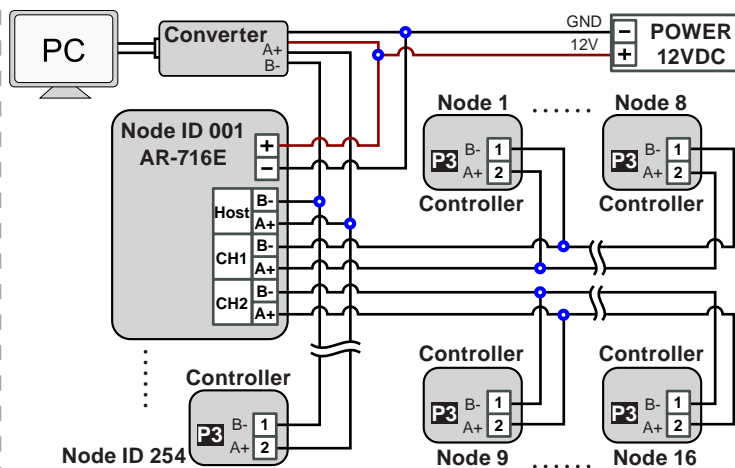


Strengthen security with AR-721RB

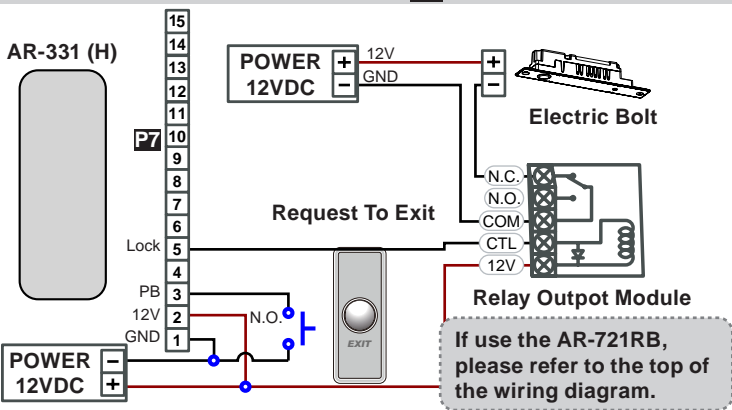


- ※ 1.Enable the security trigger signal: Please refer to the 34 * DDD #
- 2.Disable the door open button input. (Please refer to the 20 * DDD # of function default value.)

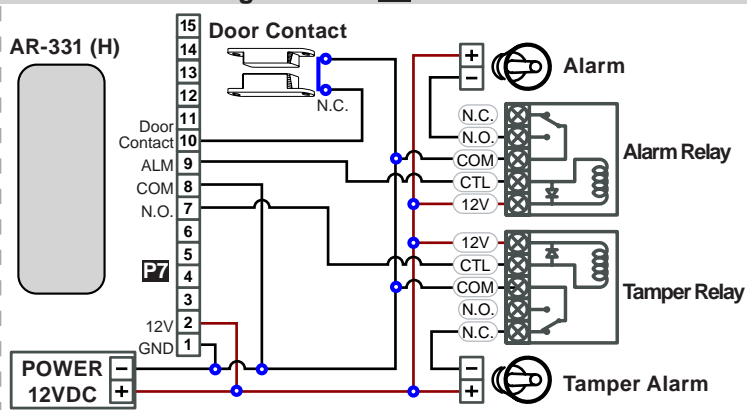
Connect to Networking



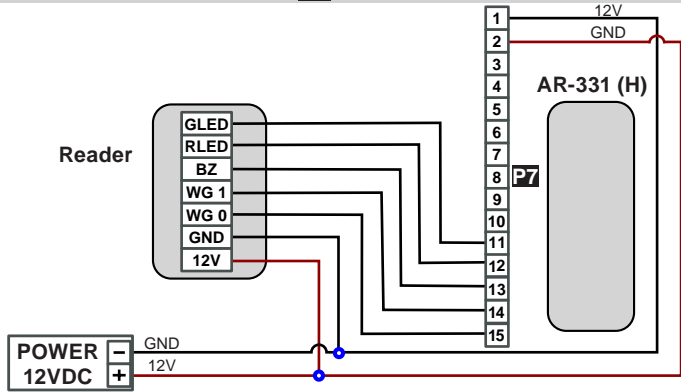
Connect to Access Control for P7



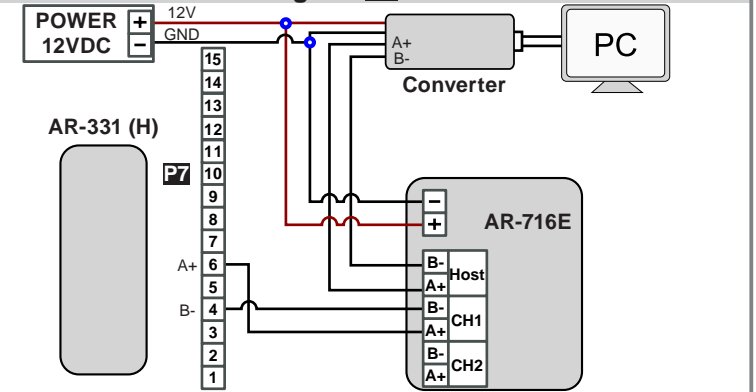
Connect to arming tools for P7



Connect to Reader for P7

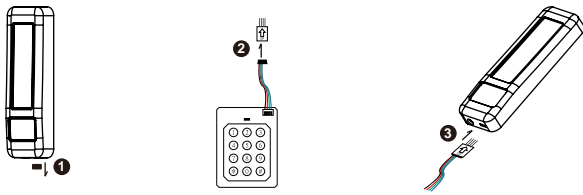


Connect to Networking for P7



External WG keyboard

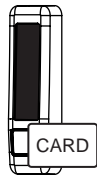
※ If you want to program system on AR-331 (H-S) directly, please order WG keyboard then install it according to the following pattern.



- Remove the Protection plug that in the bottom right.
(※ Do not lose protection plug or it will affect the protection level.)
- WG Keyboard cable will be connected to the pin board.
- WG Keyboard connected to the controller from the bottom right of the hole.
- When you finish programming system, please put protection plug back to the controller.

AR-331 (H) Interaction Area

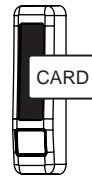
331 (HB):125kHz



※331 (HB) touch card-area for interaction.

- Metal controller's Induction scope is smaller than others ,and EM:331 (HB) / MIFARE:331 (HD) is different. Refer to the picture.

331 (HD):13.56MHz



※331 (HD) touch keyboard area for interaction.

Adding and Deleting Tag

Mode4/Mode8

• Add Single Tag or Random tags

Input * 123456 # (or Master Code) → 19 * UUUUU * 00001 # → Present the tag(s) with Controller (single tag or random numbered cards one by one) → Done
[e.g.] 2 readom cards with user addresses No. 100 and No. 101:

Access programming mode → 19 * 00100 * 00001 # → Present the tags one by one → Done

• Add the Sequential tags

Input * 123456 # (or Master Code) → 19 * UUUUU * QQQQQ # → Present the tags (Present the tag with the lowest number first.) → OK

[e.g.] User Address NO.101 to NO.120 have 20 pcs of sequential tags:(62312~62332) :

Access programming mode → 19 * 00101 * 00120 # → Close Tag into RF Area(only use the tag NO.62312) → OK

• Delete a Single Tag

Input * 123456 # (or Master Code) → 10 * SSSSS 9 EEEEE #

[e.g.] Delete User Address: 00058

Access programming mode → 10 * 00058 9 00058 #

• Delete a batch of Tags

Input * 123456 # (or Master Code) → 10 * SSSSS 9 EEEEE #

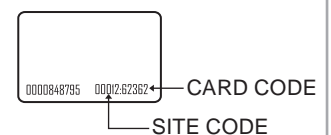
[e.g.] Delete User Address: 00101~00245

Access programming mode → 10 * 00101 9 00245 #

• Delete All Tags

Input * 123456 # (or Master Code) → 29 * 29 * #

Tag Information



Mode6 ※At this mode, User Address = Card Code

• Add Tags

Input * 123456 # (or Master Code) → 11 * SSSSS * EEEEE # → OK

[e.g.] Add User Address: 00100~01254

Access programming mode → 11 * 00100 * 01254 # → OK

• Delete Tags

Input * 123456 # (or Master Code) → 10 * SSSSS * (or 9) EEEEE # → OK

[e.g.] Delete a tag with card code 62362

Access programming mode → 10 * 62362 * 62362 # → OK

• Delete All Tags

Input * 123456 # (or Master Code) → 29 * 29 * #

Operation process

A. Enter/ Exit Program Mode

• **Enter the program mode**

Input *123456# or *PPPPPP#

[e.g.] The Default Value= 123456, if already changed the Master Code= 876112, input *876112# → program mode accessed

• **Exit the program mode**

Input * #

• **Master Code modification**

Access programming mode → 09 *PPPPPPRRRRR# [Input the 6-digit new master code twice.]

[e.g.] Set the Master code to be 876112, input *123456# → 09 *876112876112#

B. Chang the Node ID of Controller

Access programming mode → 00 *NNN# [Node ID: 001~254]

C. Set up M4/M6/M8

Access programming mode → 04 *N# [N=4/6/8]

D. Set up the password

• **M4/M8: Individual pass code**

Card or PIN: Access programming mode → 12 *UUUUU *PPPP# [e.g. User address: 00001 and pass code: 1234, input 12 *00001 *1234#]

Card and PIN: Access programming mode → 13 *UUUUU *PPPP# [e.g. User address: 00001 and pass code: 1234, input 13 *00001 *1234#]

• **M6: Public pass word**

Card or PIN: Access programming mode → 15 *PPPP# [Input 4-digit pass code, default value: 4321]

Card and PIN: Access programming mode → 17 *PPPP# [Input 4-digit pass code, default value: 1234; PPPP=0000: change into Card Only]

E. Dual Door Control(M4/M8)

Controller with an reader to do the "Dual Door Control".

Access programming mode → 28 *064# [064= Dual Door Control]

F. Anti-pass-back(M4/M8)

Usually, anti-pass-back is commonly applied to parking areas in order to prevent from multi-entry with one card at a time, or to situations need access and exit monitor.

• **Enable controller**

Access programming mode → 20 *DDD# [128= Anti-pass-back(0=Disable; 1=Enable)/ 064=Access/Exit(0=Exit; 1=Access).]

[e.g.] Enable Anti-pass-back, and set to Exit door= (128 x 1) + (064 x 0) = 128

Access programming mode → 20 *128# (Please refer to function default value for details.)

• **Enable card**

Access programming mode → 26 *SSSSS *EEEE *N#

[SSSSS= User address start; EEEEE= User address end; N=0(control)/ 1(Not control)/ 2(reset)]

[e.g.] User address from 00152 to 00684 enable the anti-pass-back function: 26 *00152 *00684 *0#

[e.g.] No. 154 enable the anti-pass-back, and induction into the door has not been induced to leave. When he represent into the door will become invalid , then he needs to set the reset. Access programming mode → 26 *00154 *00154 *2# → Reset

G. Auto Open Time Zone

Door will keep open after the first flashing card. There are 2 time zones supported when Stand-Alone, and 63 time zones when it connect to AR-716E.

• **Enable/Disable auto open zone**

Access programming mode → 20 *004# [004= enable Auto-Open Time Zone; 000= disable Auto-Open Time Zone]

• **Enable/Disable auto open door without presenting card**

Access programming mode → 24 *001# [001= enable Auto-Open Time Zone; 000= disable Auto-Open Time Zone]

• **Set up open time**

Access programming mode → 08 *N *HHMMhhmm *7123456H#

N: 2 sets of auto-open zone (N=0=1st set; N=1=2nd set)

HHMMhhmm=Staring time to ending time (e.g. 08301200=08:30 to 12:00)

7123456H= 7 days of week + Holiday (Sun/Mon/Tue/Wed/Thu/Fri/Sat) (H= 0: disable; 1: enable); Holidays establish by the software.

[e.g.] To set the second time zone as 9:30 AM to 4:20 PM, Monday, Wednesday and Friday: 08 *1 *09301612 *01010100# → Done

H. Lift control

Connect with AR-401RO16B to control floors which the user will be able to access.

• **Enable**

Access programming mode → 24 *002# [002= enable lift control]

• **Single floor**

Access programming mode → 27 *UUUUU *FF#

UUUUU=User Address FF=Floor number (01~32 floor)

[e.g.] User address NO. 45, allow to access the 24th floor: 27 *00045 *24#

• **Multi floors**

Access programming mode → 21 *UUUUU *S *FFFFFFF#

[UUUUU=User address S: 4 sets of lift control (Input: 0~3) FFFFFFFF: 8 floors setting (F=0=Disable, F=1=Enable)]

[e.g.] User address NO. 168, only to the 6th and the 20th floor:

Access programming mode → 21 *00168 *0 *0010000# → 21 *00168 *2 *00001000#

Please refer to below floor chart

Set	Floor/ Stop							
	F	F	F	F	F	F	F	F
0	8	7	6	5	4	3	2	1
1	16	15	14	13	12	11	10	9
2	24	23	22	21	20	19	18	17
3	32	31	30	29	28	27	26	25

I. Setting Up the Arming

• Alarm conditions:

1. Arming is enabled
2. Alarm system connected

• Application:

1. **Door open too long:** Door is open longer than door relay time plus door close time.
2. **Force open** (Opened without a valid user card): Access by force or illegal procedure.
3. **Door position abnormal:** Arming is enabled and the power is suddenly off then on.

• Enable/Disable Arming status (for M4/M8; Factory default armingcode is: 1234) :

Standby Mode	
After door open	Do not open the door
The normal procedure to open door → Input 4 digit arming code → #	* → Input 4 digit arming code → Present valid card
Enter Program Mode	
Enable: Access programming mode → * * #	Disable: Access programming mode → * #

※ [The normal procedure to open door] can refer to [Access Mode].

Function Default Value

AR-321 (H) / AR-331 (H) / AR-721 (H) / AR-725 (H) / AR-757 (H)

20 * DDD #	※Default Value			
Function	Selection		Value	Application
Attendance	※0: Yes	1: No	001	Networking
Auto Re-lock	※0: Disable	1: Enable	002	Networking/Stand-Alone
Auto Open	※0: Disable	1: Enable	004	Networking/Stand-Alone
Door open button input	0: Disable	※1: Enable	016	Networking/Stand-Alone
Master Controller of Network	※0: Slave	1: Mater	032	Networking
Access/Exit	※0: Exit	1: Access	064	Networking
Anti-pass-back	※0: Disable	1: Enable	128	Networking

Selection= 0(none value)/ 1(1 x each value)
[e.g.] DDD value of Enable "Auto Open" + "Exit by Push Button" + "Anti-pass-back" =004+016+128=148;
As a result of that, the command will be 20 * 148 #.

28 * DDD #	※Default Value			
Function	Selection		Value	Application
Dual Door Control	※0: Disable	1: Enable	064	Networking/Stand-Alone
Force Open Alarm Output	※0: Disable	1: Enable	128	Networking/Stand-Alone

AR-321 (H) / AR-331 (H) / AR-721 (H) / AR-725 (H)

24 * DDD #	※Default Value			
Function	Selection		Value	Application
Auto-open door without cards at auto open zone	※0: Disable	1: Enable	001	Networking/Stand-Alone
Alarm Output/ Lift Control	※0: Alarm Output	1: Lift Control	002	Networking/Stand-Alone
Stop Alarm by door close or by push button	0: None	※1: Yes	064	Networking/Stand-Alone
Door bell	※0: Disable	1: Enable	128	Networking/Stand-Alone

AR-757 (H)

24 * DDD #	※Default Value			
Function	Selection		Value	Application
Auto-open door without cards at auto open zone	※0: Disable	1: Enable	001	Networking/Stand-Alone
Lift Control/ Duress Function	※0: Duress	1:Lift Control	002	Networking/Stand-Alone
Stop Alarm by door open or door close button	0: None	※1: Yes	064	Networking/Stand-Alone

Mode4 / Mode6 / Mode8

Mode	Networking/ Stand-Alone	User Capacity	Access Mode	Auto-show Duty time	Event log Capacity	120 Holidays	Anti force	Time Zone	Lift Control	Anti-pass-back
M4	Networking/ Stand-Alone	1,024 {721 (H)/757 (H)} 3,000 {321 (H)/331 (H)/ 725 (H)}	1.Card only 2.Card and PIN (4-digit PIN)+ # 3.Card or User address (5-digit) + Individual PIN (4-digit individual PIN) + #	Yes	1,200 721 (H) 1,500 321 (H)/331 (H)/ 725 (H) 3,000 757 (H)	Yes	Yes	11	32	Yes
M6	Stand-Alone	65,535	1.Card only 2.Card and PIN (4-digit public PIN= Arming PWD)+ # 3.Card or PIN (4-digit public PIN= Duress code)	No	No	No	No	No	No	No
M8	Networking/ Stand-Alone	1,024 {721 (H)/757 (H)} 3,000 {321 (H)/331 (H)/ 725 (H)}	1.Card only 2.Card and PIN (4-digit individual PIN)+ # 3.Card or PIN (4-digit individual PIN)	Yes	1,200 721 (H) 1,500 321 (H)/331 (H)/ 725 (H) 3,000 757 (H)	Yes	Yes	11	32	Yes

※ **Mode 6**, the number of users up to 65535, since it reads **CARD CODE**(5 digits) only, unlike that Mode4/Mode8 read **SITE CODE** and **CARD CODE**(10 digits).

Factory Reset by its commands

• When the device is stand-alone (not networking)

Access programming mode → 20 * 016 # → 24 * 064 # → 26 * 00000 * 01023 * 1 # → 28 * 000 # → 29 * 29 * #

※Note: After the Master Code is changed, factory reset doesn't restore the Master Code back to 123456.

Command List

Function	Command	Description	Mode
Entering programming mode	* PPPPP #	PPPPPP=Master Code, default value=123456	M4/M6/M8
Exiting programming mode	* #		M4//M6M8
Exiting programming mode and enabling arming status	* * #		M4/M8
Node ID setting (Connecting to 716E)	00 * NNN #	NNN=Node ID, range: 001~254	M4/M8
Node ID setting (Connecting to PC directly without via 716E)	00 * NNN * VVV * nnn #	NNN=Node ID of Access Controller, VVV=Virtual 716E Node ID, nnn=Door number; range:001~254	M4/M8
Mifare tag / card format (Optional)	01 * N #	N: 0=ISO14443A; 1=ISO14443B; 2=ISO15693; 3=I Code1; 4=I Code2 PS.1. Please select the compliance,first. 2. Make sure reader and card using the same compliance.	M4/M8
Door relay time setting	02 * TTT #	TTT=Door relay time 000= Output constantly 001~600=1~600 sec. 601~609=0.1~0.9 sec.	M4/M6M8
Alarm relay time setting	03 * TTT #	TTT=Alarm relay time 000= Output constantly 001~600=1~600 sec.	M4/M6/M8
Control mode setting	04 * N #	N=Mode 4=Mode4 ; 6=Mode6 ; 8=Mode8	M4/M6/M8
Arming delay time setting	05 * TTT #	TTT=Arming delay time 001~600=1~600 sec.	M4/M6/M8
Alarm delay time setting	06 * TTT #	TTT=Alarm delay time 001~600=1~600 sec.	M4/M6/M8
Master card setting	07 * SSSSS * EEEEE #	SSSSS-EEEE=00000-01023 (00000-03000 for AR-725H); SSSSS=Starting user address; EEEEE=Ending user address	M4/M8
Auto-open time zone setting	08 * N * HHMMhmm * 7123456H #	N= 0(1st time zone) / 1(2nd time zone) HHMM= Starting time; hmmm= ending time (i.e.: 08301200=08:30 to 12:00) 7123456H= 7 days of week (Sun/Mon/Tue/Wed/Thu/Fri/Sat)+ Holiday (H= 0: disable; 1: enable); Holidays establish by the software.	M4/M6/M8
Master code setting	09 * PPPPPRRRRR #	PPPPPP=New master code RRRRRR=Repeat the new master code	M4/M6/M8
Suspend / Delete tag	10 * SSSSS * EEEEE # 10 * SSSSS 9 EEEEE #	* =Suspend 9 =Delete; SSSSS=Starting user address, EEEEE=Ending user address	M4/M6/M8
Set a sequence of cards as "read and access"	11 * SSSSS * EEEEE #	SSSSS=Starting card number EEEE=Ending card number	M6
Active the suspended cards	11 * SSSSS * EEEEE #	SSSSS=Starting user address EEEE=Ending user address	M4/M8
Set the cards as Card mode OR PIN mode by user address	12 * UUUUU * PPPP #	Access mode: Card or PIN ; UUUUU=user address; PPPP=4-digit pass code 0001~9999	M4/M8
Set the cards as Card AND PIN mode by user address	13 * UUUUU * PPPP #	Access mode: Card and PIN ; UUUUU=user address; PPPP=4-digit pass code 0001~9999	M4/M8
Arming output time setting	14 * TTT #	TTT=Arming output time; 000~250=0~2.5 sec.	M4/M8
M4/M8: Duress code setting M6: Public PIN setting (Card or PIN)	15 * PPPP #	PPPP=4-digit pass code (default value=4321) PS. Duress code will be unavailable and become a public PIN at access mode "Card or PIN" of M6	M4/M6/M8
Card number modification	16 * UUUUU * SSSSSCCCC #	UUUUU= User address; SSSSS=5-digit site code; CCCCC=5-digit card code	M4/M8
M4/M8: Arming pass code setting M6: Public PIN setting (Card and PIN)	17 * PPPP #	PPPP=4-digit pass code (default value=1234; disable Arming PWD=0000) PS. Arming PWD code will be unavailable and become a public PIN at access mode "Card PIN" and of M6	M4/M6/M8
Door open waiting time	18 * TTT #	TTT=Door open waiting time: 001~600=1~600 sec.; default value: 15 sec.	M4/M6/M8
Set the card by induction(M4/M8)	19 * UUUUU * QQQQQ #	UUUUU=User address; QQQQQ=Card quantity(00001=Continuously inducting)	M4/M8
Reader additional setting	20 * DDD #	Please refer to function default value for details.	M4/M6/M8
Lift control setting: multi-doors	21 * UUUUU * S * FFFFFFFF #	UUUUU=User address, S=4 sets of lift control(0~3); FFFFFFFF=8 assigned floor (F=0: Disable, 1: Enable)	M4/M8
Add/Delete tag by induction (M6 only)	22 * N #	N=0(Delete tag); N=1(Add tag)	M6
AR-401RO16 Lift Relay Activated TM	23 * NNN * TTT #	NNN=site number, TTT= relay time: 000~600=1~600 sec.	M4/M8
Controller parameter setting	24 * DDD #	Please refer to function default value for details.	M4/M6/M8
Controller time clock setting	25 * YYMMDDHHmmss #	YYMMDDHHmmss: Year/ Month/ Day/ Hour/ Min./ Sec.	M4/M6/M8
Anti-pass-back (Enable user)	26 * SSSSS * EEEEE * N #	SSSSS=Starting user address; EEEEE=Ending user address; N=0/Enable; N=1/Disable; N=2/Initial	M4/M8
Single floor setting	27 * UUUUU * FF #	UUUUU=User Address; FF=Floor (01~32 floor)	M4/M8
Dual door control/ Active or inactive arming for force open	28 * DDD #	Please refer to function default value for details.	M4/M6/M8
Delete all tags	29 * 29 * #		M4/M6/M8
Enable the security trigger signal (with AR-721RB)	34 * 128 # (321H/721H/725H/757H) 34 * 064 # (331H) 34 * 000 # (Disable)	To Change the "Arming" (in 25) become the security trigger signal, when controller is connected with AR-721RB.	M4/M6/M8



1141 Budapest, Fogarasi út 77. **1095 Budapest, Mester utca 34.**
Tel.: *220-7940, 220-7814, 220-7959, Tel.: *218-5542, 215-9771, 215-7550,
220-8881, 364-3428 Fax: 220-7940 216-7017, 216-7018 Fax: 218-5542
Mobil: 30 531-5454, 30 939-9989 Mobil: 30 940-1970, 20 949-2688

www.soyal.hu

E-mail: info@delton.hu Web: www.delton.hu