

Warranty Card

Customer	Name:		The warranty period: one year
	Address:		
	Phone No. :		
	Date of purchase:		
<p>Please fill in all items of this warranty card in detail and it is valid covered with the seal of the distributor.</p> <ol style="list-style-type: none"> Service for this product is free within one year from the date of purchase under normal use conditions. If spare parts need to be replaced beyond the time limit specified in the preceding item, the maintenance fee will be charged as appropriate. During the warranty period, the product will not be repaired free of charge with any of the following situations: <ol style="list-style-type: none"> Failure to show warranty card or purchase certificate (invoice or receipt). Maintenance beyond the warranty period. Damage caused by disassembly or modification. Damage caused by mistake/negligent use or improper human use. Fault or damage caused by non-ordinary family use (such as long-term use in places with harsh environment). Appearance is naturally dirty due to use. 		Inspector	
		Seal and signature of the distributor	

User Manual

- Please read this manual carefully before using the product and keep it properly.
- The contents in this manual have been checked carefully. Please contact us as soon as possible if there are any misprints or misunderstandings in the contents.

Robot vacuum cleaner

*This product is subject to the real product, and our company reserves the right to update the product. If there is any change, it will not be notified.

Contents

- Please be sure to assemble and use the product according to the regulations contained in the User Manual.
- Please read the User Manual carefully and keep it properly for future reference.
- If you have any questions in use, please contact online customer service in the required language.

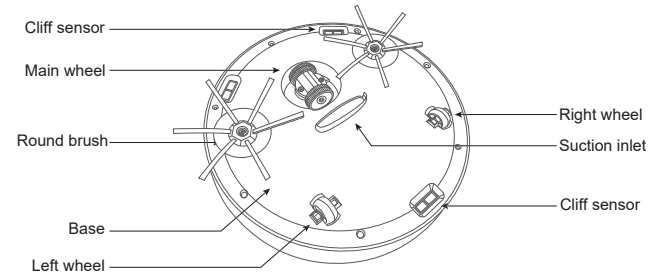
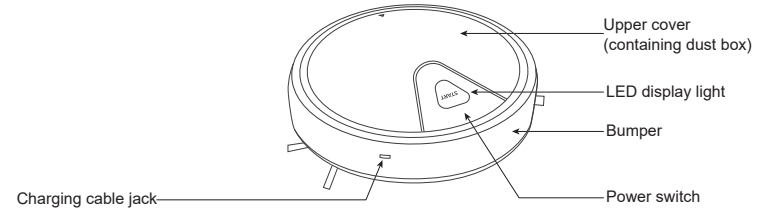
Product Structure	02
Product Parameters	03
Notices before Use	03
Instruction on Use	04
Instruction on Installation	07
Cleaning and Maintenance	08
Troubleshooting	10
Safety Precautions	11
Hazardous Substances Contained in Product	13
Inquiry of After-sales Outlets	14

Attached: Warranty Card

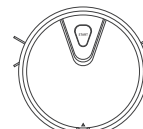
Thank you for purchasing this product. For convenience, please read this manual carefully and keep it properly before use. The pictures in this manual are for illustration only, and the details are subject to the real product.

Product Structure

1. Machine View



2. Packing List



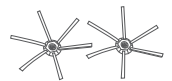
Main machine



Product instruction



Adapter (charging cable)



Round brush x2

Note: The pictures are for reference only. Please refer to the real product for specific products.

Product Parameters

Product name	Product model	Rated voltage	Rated input	Rated power	Capacity of dust box	Charging battery
Full-automatic robot vacuum cleaner	V1	DC7.4V	100-240V~50/60Hz	9.8W	400mL	Lithium-ion battery
Battery capacity	Charging time	Working time	Scope of working temperature	Scope of working humidity	Work noise	Power adaptor output
1800mAh	2-4H	60~90min	-10℃~45℃	90RH	≤65 dB	5V ↔ 1.0A
Operative norms: GB17625.1-2012 GB4706.1-2005 GB4706.7-2014 GB4343.1-2018						

Notices before Use

1. In order to give full play to the best dust collection function of this product, be sure to pick up clothes, power cords, extension cords and other fragile items scattered on the ground.

As this product will clean along the edges of walls and furniture, please remove or fix all furnishings and furniture that are easy to topple and have unstable center of gravity.

2. Please check before use:

* Whether the dust box is full.

* Whether there is dust or foreign matter stuck in the suction inlet.

* Whether there is too much dust inside and outside the suction inlet edge of dust box. After confirmation, please shut down the main machine and clean the dust box. After cleaning, please be sure to put the filter screen into the dust box correctly.

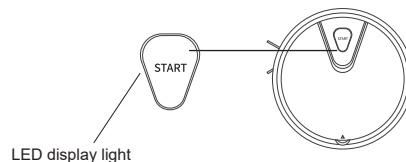
3. Please put the main machine in an empty place in the room and turn on the power switch to start cleaning.

4. Please be sure to turn off the machine when not in use.

Notices before Use

5. LED display light signal

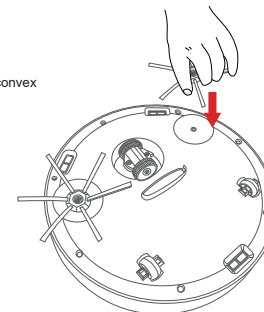
Operation Mode	Display of LED light
Walking state	The button light is always on
Off-ground state	The button light flashes rapidly
Ground inspection alarm state	The button light flashes rapidly
Low battery	The button light flashes twice in a row with an interval of 2s
Fan is stuck	The button light flashes three times in a row with an interval of 2s
Side brush is stuck	The key light flashes four times in a row with an interval of 2s
In charging state	The button light breathes
Fully charged	The button light is always on
Abnormal charging	The button light flashes rapidly for 1s



Instruction on Use

1 Install the round brush

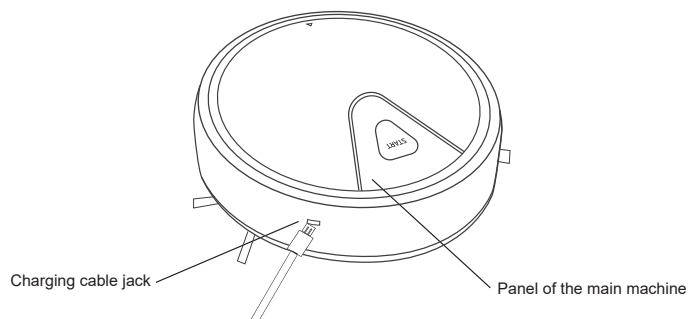
Press the round brush directly into the central convex shaft of the brush base without using tools.



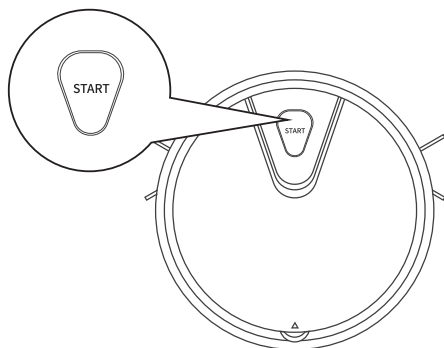
② Charge the main machine

First, insert one end of the charging cable into the charging cable jack at the front of the main machine, and then insert the other end into the USB charging head. At this time, the LED light on the panel of the main machine will breathe in green light (please refer to Item 5 of Notice Before Use)

⚠ Please use the 5V==1A adapter to charge.

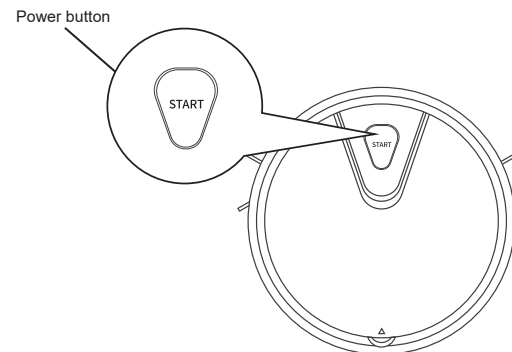


③ Turn on the main machine



④ Pause/turn off the main machine

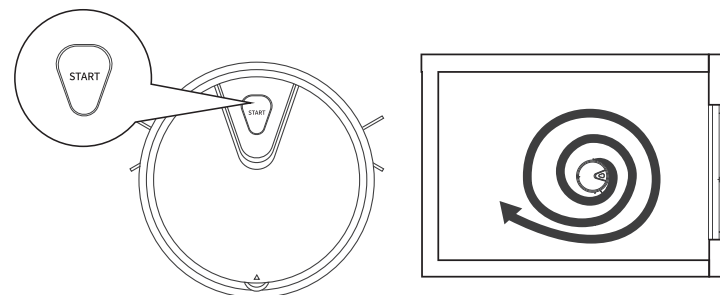
Press and hold the "power button" for 3s and the green light goes out; then, the machine is turned off.



⑤ Automatic cleaning

Press the "power button" for short to run the machine and start automatic cleaning; then press the "power button" for short to pause cleaning, and then the machine will be automatically turned off after being put static for 5 minutes. In the automatic cleaning state, the machine can clean in the designated cleaning area according to the path set inside the machine.

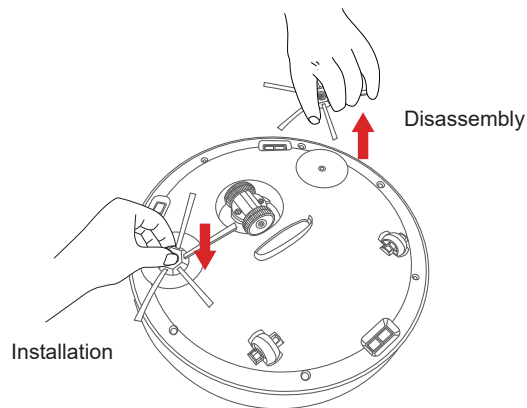
It can be used for cleaning and vacuuming wooden floors, smooth cement floors, ceramic tile floors and other hard floors.



Instruction on Installation

● Method for installing and disassembling the round brush:

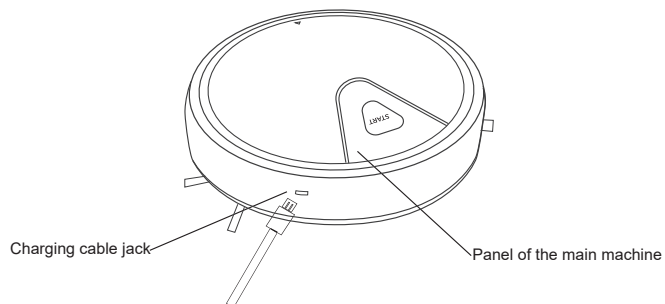
The round brush used in this product can be directly pressed into the central convex shaft of the brush base without using tools.



● Battery charging method

1. When charging, insert one end of the charging cable into the charging cable jack at the front of the main machine firstly, and then insert the other end into the USB charging head. At this time, the LED light on the panel of the main machine will flash in green light. The charging time takes about 2-4 hours. (Please refer to Item 5 of Notices before Use).
2. After the battery is fully charged, the green light on the panel of the main machine is always on.

⚠ Please use the 5V-1A adapter to charge.

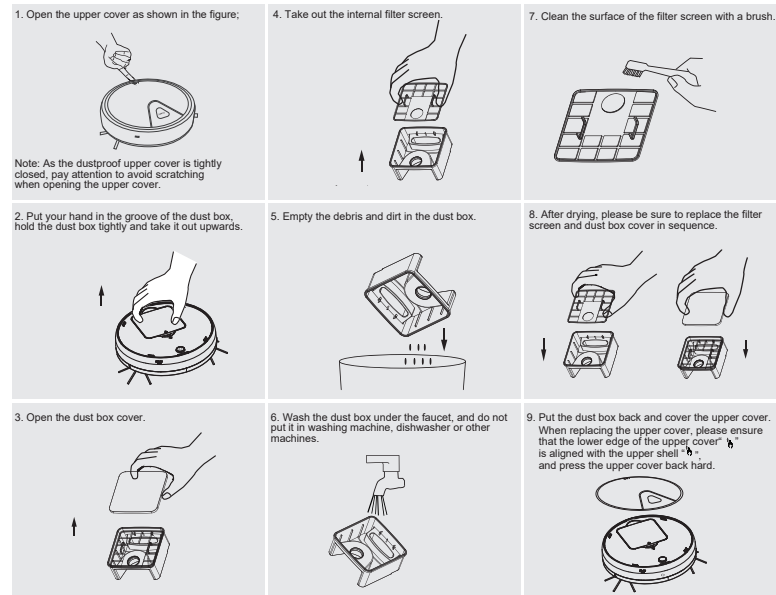


Cleaning and Maintenance

● Maintenance method

After each dust absorption, empty the debris and dirt in the dust box and clean the dust on the filter screen (be careful not to let the filter screen be damaged).

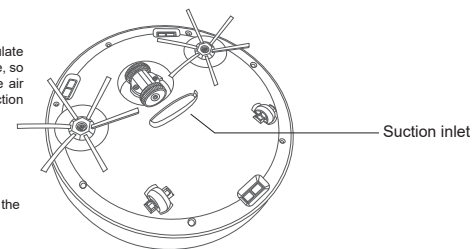
● Clean the dust box



● Clean the suction inlet

After a period of use, dust and dirt will accumulate in the suction inlet at the bottom of the machine, so it is necessary to clean regularly to make the air flow smooth so as not to affect the dust suction effect.

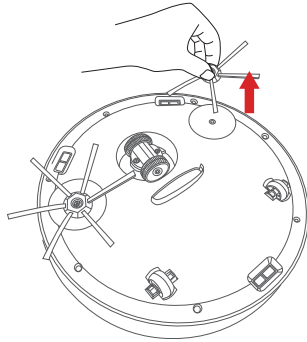
1. Turn off the machine firstly.
2. Clean up the dust and dirt accumulated in the suction inlet.



Cleaning and Maintenance

● Clean the round brush

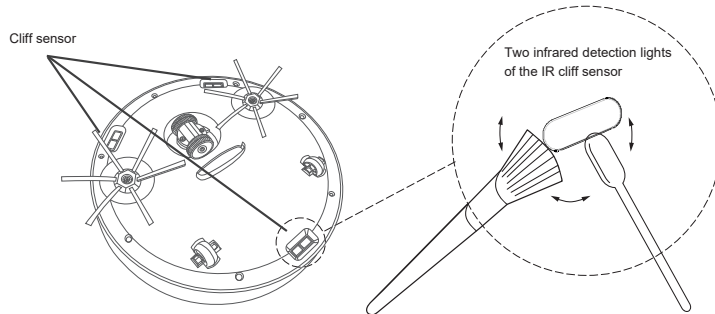
1. Firstly, turn off the power of the main machine, and place the bottom up on a flat ground or desktop.
 2. Hold the brush, pull it up hard, remove the round brush and clean it.
 3. After cleaning, press the brush directly into the central convex shaft of the brush base to complete the installation.
 4. If the round brush has been damaged.
- * If the brush is curled and deformed due to use for a period of time, it can be scalded with hot water appropriately. If the degree of curl is light, it can be restored to the original state.



● Clean the cliff sensor

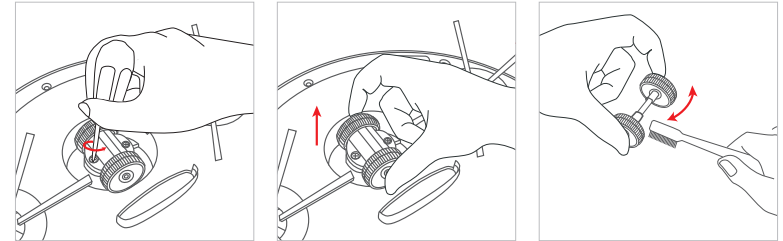
After a period of use, dust and dirt will accumulate in the cracks of the two detection lights of the IR cliff sensor, which will make the machine unable to start.

1. Turn off the power of the machine first.
2. Clean up the dust with a fine brush or cotton swab.



Cleaning and Maintenance

Clean the main wheel



Unscrew the screw of the main wheel counterclockwise with a screwdriver, and take out the parts of the main wheel, the cover and the wheel. Clean all parts of the main wheel with a brush. After cleaning, put back all parts of the main wheel in turn.

Troubleshooting

● Common Problems

	Description	Possible reason	Solution
1	Unable to clean dust and hair	<ol style="list-style-type: none"> 1. The dust box is full. 2. The filter screen is not installed correctly. 	<ol style="list-style-type: none"> 1. Please clean the dust box. 2. Please put the filter screen into the dust box correctly.
2	Round brush is curled which is not easy to use	Be used for a period of time.	Please scald it with hot water and restore it to its original state or replace it with a new round brush.
3	Unable to start	<ol style="list-style-type: none"> 1. Insufficient power. 2. The upper cover of the main machine is not installed properly. 3. Cliff sensor is accumulated with dust and dirt. 	<ol style="list-style-type: none"> 1. Please charge immediately and firstly confirm whether the power supply is off. 2. Please cover the upper cover of the main machine. 3. Please clean the cliff sensor (IR detection light).

Note: After the problem is solved, press the "power button" for short to directly release the alarm state and run directly. If the fault can't be handled after inspection, please contact the maintenance outlets or Technical Service Center provided by our Customer Service Center. Please do not disassemble and repair by yourself, which may damage the machine or cause any harm to your body.

Safety Precautions

Code of safety use

1. Please read the operating instruction carefully before use.
2. It is strictly forbidden to use outdoors.
3. Before starting the machine for cleaning, please make sure that the filter screen of this product is properly and correctly installed in the dust box of the main machine.
4. Do not get caught in the rain or water and do not use it in damp space, such as bathroom or laundry room.
5. Before using this product, please arrange and store the ground items, and be sure to arrange and store the clothes, papers, power cords and extension cords scattered on the ground, which may block the operation of the machine, or move them away from the ground. If there are blinds or curtains hanging to the ground indoors, they must be rolled up. Once foreign matters, such as wires, are involved in the product during use, they will roll into the product. As the machine runs and drags the wires, tables, chairs, cabinets or bookshelves may be dragged and toppled, causing danger.
6. It is strictly forbidden to stand or squat on this product. When there are children or cats and dogs at home, it is needed to pay special attention to safety to avoid danger.
7. It is strictly forbidden to use this product to clean burning cigarette butts and matches.
8. It is strictly forbidden to use this product to clean flammable or highly volatile liquids, such as gasoline and degreased oil.
9. If there is balcony in the room to be cleaned, please close the door leading to the balcony to prevent the product from running out of the balcony and causing danger.
10. During the operation and use of this product, foreign matters shall not block the heat dissipation hole to avoid damage caused by the product's inability to dissipate heat.
11. If this product is accidentally dropped, impacted by external force or broken down, please do not use it again.
12. Be sure to turn off the power switch if it is not used for a long time.
13. This product is not suitable for people (including children at home) who lack experience and knowledge of smart vacuum cleaners, unless someone is around to supervise and guide them and take charge of their safety. It is needed to take care of children at home to avoid playing with this product.
14. Power 18650 lithium battery is used for the product. Please pay attention to the use environment.
15. Please read the precautions of cleaning and maintenance of the general operation carefully before using this product.
16. The product can only meet the daily cleaning of hair, dust, paper scraps, cigarette ash, fruit shells and other small dirt. To avoid blocking the suction inlet of the machine or damaging the machine, do not use it to clean particles or foreign matters larger than 10mm.

Safety Precautions

Precautions about battery and charging

1. When charging, please follow the voltage and current specifications indicated on the product package.
2. It is forbidden to disassemble the battery.
3. It is forbidden to use non-rechargeable batteries or batteries of different models.
4. Please use the 5V-1A power adapter to charge.
5. Please use this product in a reasonable lithium battery environment.
6. Do not touch the transformer and its plug and power cord when your hands are wet.
7. Before abandoning the product, be sure to take out the rechargeable battery.
8. When taking out the battery, please be sure to turn off the power of this product.
9. The waste battery should be safely recycled.
10. Keep the battery away from the fire source.
11. Do not put the battery in water or rain.
12. Do not try to disassemble the battery.
13. Do not let children play with the battery.
14. If the liquid leaks from the battery, do not let your eyes, skin and clothes touch the leaked liquid. Wipe the liquid with a dry cloth immediately and recycle the battery safely, and do not abandon it casually.

Hazardous Substances Contained in Product

According to the Administrative Measures on the Restriction of the Use of Hazardous Substances in Electrical and Electronic Products of the People's Republic of China, the names and contents of toxic substances or elements that may be contained in electrical and electronic products are listed in the following table:



Name of the spare part	Toxic and hazardous substances or elements					
	Lead (Pb)	Mercury (Hg)	Cadmium(Cd)	Hexavalent chromium(Cr(VI))	Polybrominated biphenyl(PBB)	Polybromodiphenyl ether(PBDE)
Upper cover	0	0	0	0	0	0
Base component	0	0	0	0	0	0
Battery	X	0	0	0	0	0
Charger	X	0	0	0	0	0
Packaging sticker	0	0	0	0	X	0
Switch component	0	0	0	0	0	0
PCB component	0	0	X	0	X	X
Motor component	0	0	0	0	0	0
Round brush	0	0	0	0	0	0

This table is compiled according to SJ/T11364.

0: It means that the content of the toxic and hazardous substances in all homogeneous materials of this component is below the limit requirements stipulated in SJ/T11364-2014 standard.

X: It means that the content of the toxic and hazardous substances in at least one homogeneous material of the component exceeds the limit requirements stipulated in SJ/T11364-2014 standard.



Arrow cycle mark: It means that this product can be recycled. After the service life has expired or it can't work properly after maintenance, it should not be abandoned at will; instead, please submit it to the regular recycling channels and enterprises qualified for disposal of discarded electrical and electronic products. Please refer to the national or local regulations on disposal of used electrical and electronic products for correct disposal methods.

Description of hazardous substances: The content of harmful substances in substances used in our product has already followed the limit requirements of SJ/T11364-2014, in which the component marked with "X" means that the replacement of hazardous substances cannot be realized due to the development of global technology, and our company will strive to realize the replacement of hazardous substances according to the development of global technology. If the technology is developed and hazardous substances in materials are updated for protecting environment, it will be compiled into the new version of instruction.



1141 Budapest, Fogarasi út 77. **1095 Budapest, Mester utca 34.**
 Tel.: *220-7940, 220-7814, 220-7959, Tel.: *218-5542, 215-9771, 215-7550,
 220-8881, 364-3428 Fax: 220-7940 216-7017, 216-7018 Fax: 218-5542
 Mobil: 30 531-5454, 30 939-9989 Mobil: 30 940-1970, 30 959-0930

www.robotol.hu

E-mail: info@delton.hu Web: www.delton.hu